

LUX SERIES

DOWN LUX: INTENSE SCENE LIGHTING




DOWN LUX
D-4600




DOWN LUX
D-3700



DOWN LUX
D-7900

Equipment Dimensions 
pp. 03

Specifications 
pp.03

Wiring Diagram 
pp.04



Feniex Product Copyrights This price List and the mentioned Feniex products include or describe copyrighted Feniex material. Laws in the United States and other countries preserve for Feniex Industries and its licensors certain exclusive rights for copyrighted material, including the exclusive right to copy, reproduce in any form, distribute and make derivative works of the copyrighted material. Accordingly, any copyrighted material of Feniex and its licensors contained herein or in the Feniex products described in this Price List may not be copied, reproduced, distributed, merged or modified, transmitted, transcribed, stored in retrieval system or translated into any language or computer language, in any form or by any means, without prior written permission of Feniex Industries, Inc. Feniex and the stylized Feniex logo are registered in the U.S. Patent & Trademark Office.



SAFETY REGULATIONS & WARRANTY

Safety Regulations

The following provides all the information necessary to safely operate the previously listed products of Feniex Industries, Inc. Please read this manual thoroughly before installing or operating your new product in order to prevent any damage or injury. Failure to follow the listed instructions in this manual may result in damage to your products or personal injury.

- Proper installation of this product requires good knowledge of automotive systems, electronics and procedures.
- Please guarantee all vital components of the vehicle are not in danger of being damaged by drilling holes necessary for installation. Check all sides of the mounting surface before drilling any holes into the vehicle.
- Do not install this product in any way that interferes with the deployment of the air bag. Doing so may damage the effectiveness of the air bag and can lead to serious personal and vehicle injury. The installer will assume full responsibility of proper installation of the new unit.
- Please clean the mounting surface before installation of the unit when using tape, brackets, magnet, Velcro or suction cups.
- The product's ground wire must be connected directly to the Negative (-) battery post for effective use of the unit. Please follow all wiring guidelines provided to guarantee long lifespan and productivity. Failing to follow these instructions may result in damage to the product.

Warranty

Feniex Industries, Inc. warranties to the original purchaser that all our products shall be free from defects in material and workmanship. Feniex Industries' speakers, sirens, rocker panels, AM600 Beacons, Torch Lights, AI lightbars, AI Cubes, AM900 Work Lights, 8.5" Dome Lights, flashlights, Remote Spot Lights and controllers are warranted for 2 years from the manufacturing date. In addition, all other products are warranted for 5 years from the manufacturing date.

If a warranty problem occurs, please contact customer support at 1.800.615.8350 or visit the web site at www.Feniex.com.

If the product needs to be returned for repair or replacement, call our customer support line to receive a return merchandise authorization number.

Operational times are from 10 a.m. to 5 p.m. central time, Monday through Friday. Please do not send in product without contacting support first for a RMA number.

Service After Expiration

Feniex Industries will still provide service for all products after expiration of the warranty. For any issues, call the customer support line. In some instances it may be necessary for the product to be shipped, freight prepaid and insured for loss or damage to Feniex headquarters.

Warning! Utilizing non-factory screws and mounting brackets may result in loss of warranty coverage.

Copyright

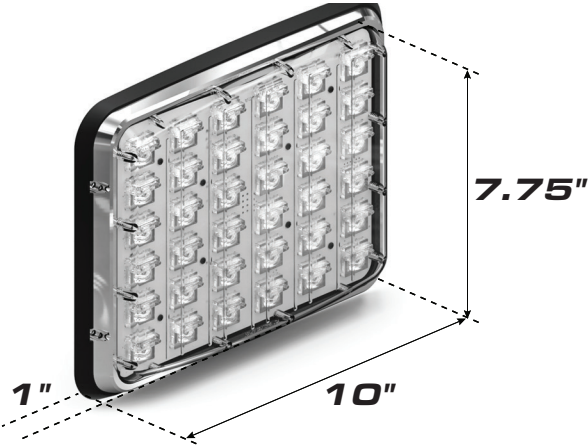
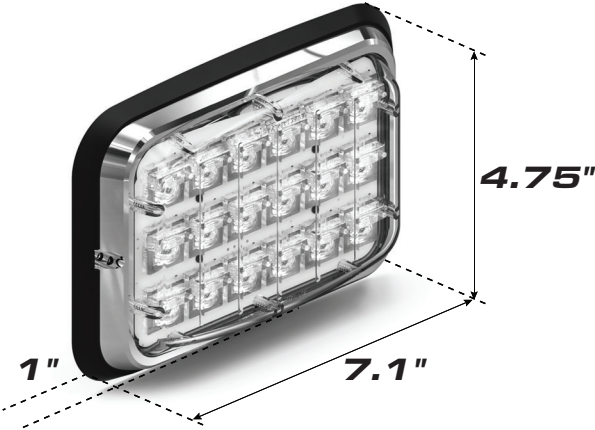
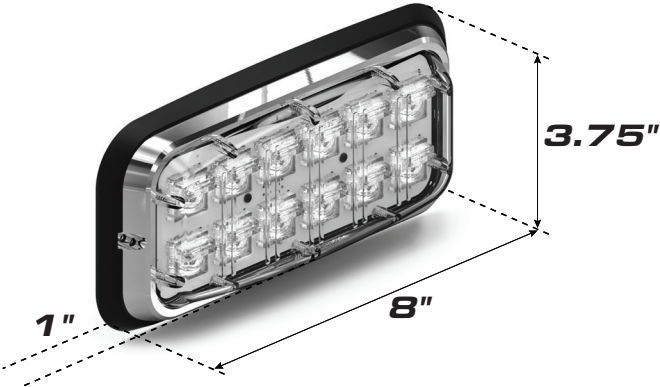
This instruction manual and the Feniex products described in this instruction manual may include or describe copyrighted Feniex material. Laws in the United States and other countries preserve for Feniex Industries and its licensors certain exclusive rights for copyrighted material, including the exclusive right to copy, reproduce in any form, distribute and make derivative works of the copyrighted material. Accordingly, any copyrighted material of Feniex and its licensors contained herein or in the Feniex products described in this instruction manual may not be copied, reproduced, distributed, merged or modified in any manner without the express written permission of Feniex Industries, Inc.

Feniex Product Copyrights

The products described in this document are the property of Feniex Industries, Inc. It is furnished by express license agreement only and may be used only in accordance with the terms of such an agreement. Products and documentation are copyrighted materials. Making unauthorized copies is prohibited by law. No part of the product or documentation may be reproduced, transmitted, transcribed, stored in retrieval system or translated into any language or computer language, in any form or by any means, without prior permission from Feniex Industries, Inc.



EQUIPMENT DIMENSIONS





▲ SPECIFICATIONS

Power Drive	6x4: 1.0A
	7x3: 0.75A
	9x7: 2A
Operating Voltage	12V DC
Standby Power	10mA
LED Count:	6x4: 18 LEDs
	7x3: 12 LEDs
	9x7: 36 LEDs

Waterproof:	IP67
Mounting Options:	Surface Mount Bezel
	Rear Mount (no bezel)

Feniex University

Watch our instructional videos at Feniex University to see an in-depth look at our product's features and functions.



Use the link below:
feniexuniversity.com

▲ WIRING DIAGRAM

Red	12V+/Constant Power
Yellow	12v+, Mode 1
White	12V+, Mode 2
Blue	Sync/Pattern Change
Green	12V-/Ground
Black	12V-/Ground

Note: Both ground wires must be tied together and used

Note: Constant power must be powered for the unit to function.

■ Activation

In order to activate the unit, extend the red, 12v+ wire to the 12V+ post of the vehicle's battery. Extend the black and green, 12v- wires to the ground post of the vehicle's battery.

▲ PATTERNS

1	Single Slow
2	Single Fast
3	Single Combo
4	Dual Slow
5	Dual Fast
6	Dual Combo
7	Triple Slow
8	Triple Fast
9	Triple Combo
10	Attack 1
11	Attack 2
12	Brake Pop
13	Tail 10%
14	Steady On 100%

■ Syncing Flash Patterns

1. Connect 12v+ to red and a mode wire. Connect 12v- to black and green wires. During the flash hold the blue wire to ground for 3 seconds to set the phase.

2. It will turn all steady on to indicate as a "follower" or if no lights appear after 3 seconds then it's a "leader".

3. Set desired units on the same phase to sync flash together. Combine color coded wires together and momentarily tap the blue wire to 12v- to change the desired flash pattern

■ Alternating Flash Patterns

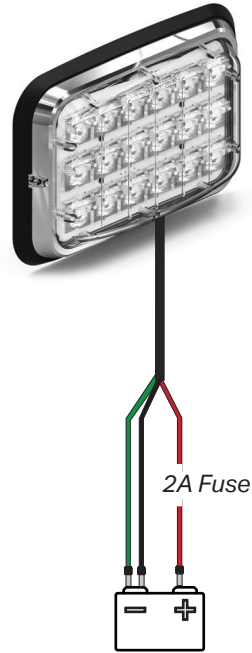
1. Connect 12v+ to red and a mode wire. Connect 12v- to black and green wires.

2. During the flash hold the blue wire to ground for 3 seconds to set the phase. It will turn all steady on to indicate as a "follower" or if no lights appear after 3 seconds then it's a "leader". Set one unit as a "leader" and the other unit a "follower".

3. Combine the color coded wires together with multiples units and momentarily tap the blue wires to 12v- to change the desired flash pattern.

■ Mounting Option 1: Bezel

1. Place the Lux Surface Mount between the bezel and rear gasket.
2. Place against the intended mounting surface and mark the holes for drilling.
3. Mark the areas where the mounting holes will be drilled. If the mounting surface is part of the vehicle, make sure no vital components could be damaged by the drilling process. There is an installation template available at fenix.com.
4. Drill the mounting holes in the marked surface. If wires need to pass through the vehicle, drill a 0.5" diameter hole for wire passage. Make sure to deburr holes thoroughly.
5. Pass the wires through the 0.5" diameter hole and secure the Surface Mount with bezel and gasket to the mounting surface using the factory provided screws (ensure no vital components are damaged when drilling holes for the surface mount).



■ Mounting Option 2: No Bezel

1. Place the large bolt (part #1) in the rear of the control, as shown in the diagram.
2. Secure the bolt by placing the bracket (part #2) over the bolt so the bracket is flush with the gasket.
3. Secure the bracket and bolt to the rear of the gasket with the two factory provided screws (part #3).
4. Mark the areas where the mounting holes will be drilled. If the mounting surface is part of the vehicle, make sure no vital components could be damaged by the drilling process.
5. Drill two mounting holes on the mounting surface, making sure no vital components of the surface are damaged.
6. Using customer provided screws, secure the Lux to the mounting surface.

